

# MS/4

Automatic moulding machine for meatballs and hamburgers



## HAMBURGERS AND MEATBALLS IN PERFECT SHAPE

Preparing hundreds of hamburgers and meatballs requires a lot of labour and the results could easily be unsatisfactory.

Moulding and weight must be accurate and all operations must be carried out with the maximum hygiene levels and without handling.

This is now possible with **MS/4**, the latest moulding machine designed by NILMA which is capable of:

- moulding even, compact and homogeneous hamburgers and meatballs
- guaranteeing that each piece corresponds exactly to the desired weight
- enhancing the perfect presentation of the product

- obtaining high production levels with just one operator
- assuring the maximum product hygiene by eliminating any handling

The two interchangeable discs of **MS/4** can mould meatballs with a diameter of 40 mm or hamburgers with a diameter of 90 mm, both with an adjustable thickness of up to 22 mm.

**MS/4** is automatic: after loading the minced meat into the bowl and setting the required thickness, **MS/4** will quickly mould 900 hamburgers or 2,200 meatballs per hour! Less hassle and much more time to be dedicated to other tasks.

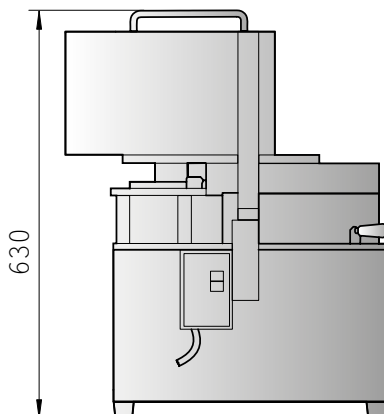
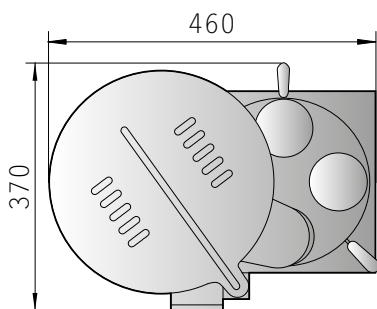
# Nilma

LA SCIENZA DELLE GRANDI CUCINE



### TECHNICAL DIAGRAMS

#### MS/4



### FEATURES

#### MAIN ASPECTS

- Satin-finished stainless steel case
- Loading bowl made of a special bright food-grade alloy
- Thickness-adjusting device (up to 22 mm)
- Mixing paddles, loading bowl and moulding disc removable for cleaning
- Safety micro-switch on the loading bowl lid
- Electrical cable

#### Technical aspects

Electrical connection	3/N~230/400V 50Hz + G
Electrical power	0.25 kW
Loading bowl capacity	11 litres
Machine net weight	39 kg
<b>Type of moulding disc</b>	3 holes (Ø: 90 mm)
Adjustable weight	60 to 140 g
Maximum thickness	22 mm
Capacity	900 pieces/hour
<b>Type of moulding disc</b>	8 holes (Ø: 40 mm)
Adjustable weight	10 to 30 g
Maximum thickness	22 mm
Capacity	2.200 pieces/hour

#### ACCESSORIES

- 3-hole moulding disc (holes diameter: 90 mm) included in the machine
- 8-hole moulding disc (holes diameter: 40 mm) available on demand



This pamphlet may not be reproduced either in full or in part - April 2017



APPLIANCE MANUFACTURED IN ACCORDANCE WITH THE EU STANDARDS AND PROVIDED WITH THE CE MARKING

Company with UNI EN ISO 9001-2008 certified Quality System