

BOXER

Quick garlic peeler



A GREAT LABOUR SAVING

Boxer is an appliance specifically designed for a fast and labour-saving garlic peeling. It eliminates one of the most tiresome and difficult jobs for kitchens, meat curers, delicatessens and industrial food processing plants.

Boxer makes peeling easy: the user just needs to open the heads of garlic, load **up to five kilograms of cloves**, program 2-3 minutes of peeling, turn on the water jet, and the abrasive disc starts working.

The waste skins, carried away by the water jet, are trapped in the **filtering box**.

When the **peeling cycle of roughly 2 min.**, is over, the operator will simply press a button and peeled garlic will automatically be discharged into the trolley.

Made of AISI 304 stainless steel, it is robust and operatively safe, since it has safety devices on both the lid and the product outfeed door.

With its great efficiency, **Boxer** is an essential aid to garlic peeling, since it cuts out wasted time and **guarantees a labour saving by over 90%**.

Wilma

LA SCIENZA DELLE GRANDI CUCINE



BOXER

Quick garlic peeler

MACHINE FEATURES

- AISI 304 stainless steel frame (thickness: 20/10).
- Plastic feet with floor anchoring holes.
- Peeling chamber with product deflector.
- Gearmotor-direct-drive stainless steel peeling disc, removable for cleaning.
- Shock-resistant transparent plastic lid equipped with a safety micro switch.
- Product outfeed with handle, locking system, gasket and safety micro switch.
- 24V wall-mountable control panel equipped with an electronic timer.
- 24V wall-mounted control panel with electronic timer and cycle start/stop, product discharging and emergency-stop buttons.

TECHNICAL DATA

BOXER

Loading capacity kg	5
Average peeling time min.	2
Water inlet Ø	¾"
Water drain Ø	2"
Power kW	0,4
Voltage V	3 ~ 230/400V 50Hz + PE
IP protection level	55
Weight kg	45

OPTIONS

SKIN COLLECTION FILTER

Made of AISI 304 stainless steel. Composed of a container with a drain and a removable filter.



WATER INLET SOLENOID VALVE

Controlled by a timer, it allows the inlet of water only for the programmed peeling time.

PRODUCT COLLECTION TROLLEY

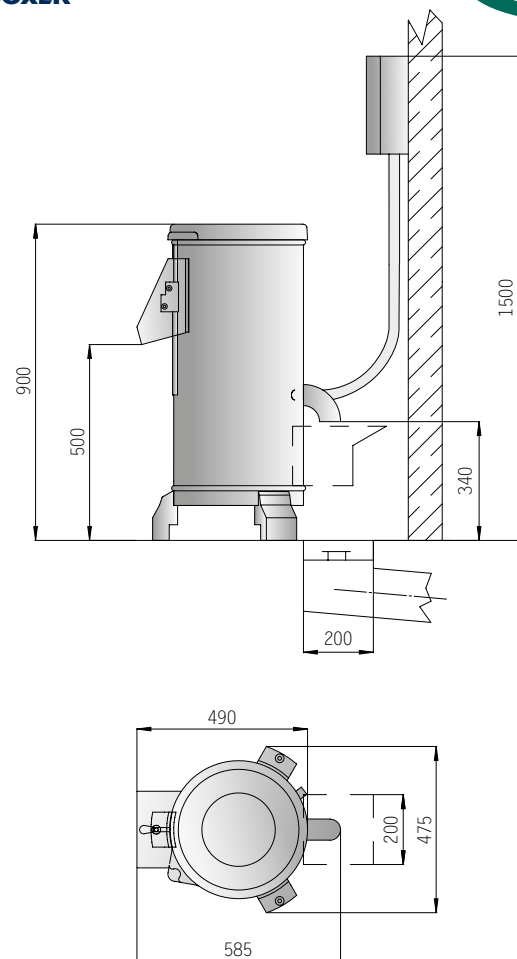
Made of AISI 304 stainless steel, it is equipped with a handle, four castors and a 2/1 GN container (height: 200 mm).

Dimensions (WxDxH):
690x660x700 mm



TECHNICAL DRAWINGS

BOXER



APPLIANCE MANUFACTURED IN ACCORDANCE WITH HARMONISED STANDARDS AND PROVIDED WITH THE CE MARKING

Company with EN ISO 9001 certified Quality Management System

NILMA S.p.A.

Via E. Zacconi, 24/A - 43122 Parma - Tel. +39.0521.785241 - Fax +39.0521.774642 - www.nilma.com • nilma@nilma.it
We reserve the right to make any changes or technical improvements considered necessary without notice



Nilma
LA SCIENZA DELLE GRANDI CUCINE