

# APRIBOX

Electric can opener



## A QUICK AND SAFE CUT

Opening a can is not a problem but if there are hundreds of pieces, it becomes fundamental to use **Apribox**, the electric can opener which opens round **cans up to five kg** in a few seconds.

**Apribox** is easy to use: once the can has been placed, it is enough to operate the relevant lever to lock the can.

At the same time the blade will perforate the lid and open the can while it rotates.

A magnet will hold the lid, preventing it from falling into the product.

**Apribox** makes a quick and safe cut, **without leaving any sharp edges** on the can or shavings in the product. The cutting height is adjustable in accordance with the capacity of the can. **Apribox** allows the opening of more than a hundred cans per hour, safely and quickly, guaranteeing an impeccable work in every modern kitchen.

# Wilma

LA SCIENZA DELLE GRANDI CUCINE



# APRIBOX

## Electric can opener

### MACHINE FEATURES

- Supporting column, clamp, locking plate, blade protection and magnet support made of AISI 304 stainless steel
- Motor body made of bright Anticorodal alloy
- Motor case made of ABS
- Cutting blade and rotating gear made of heat-treated steel
- Table locking plate
- Electric cable



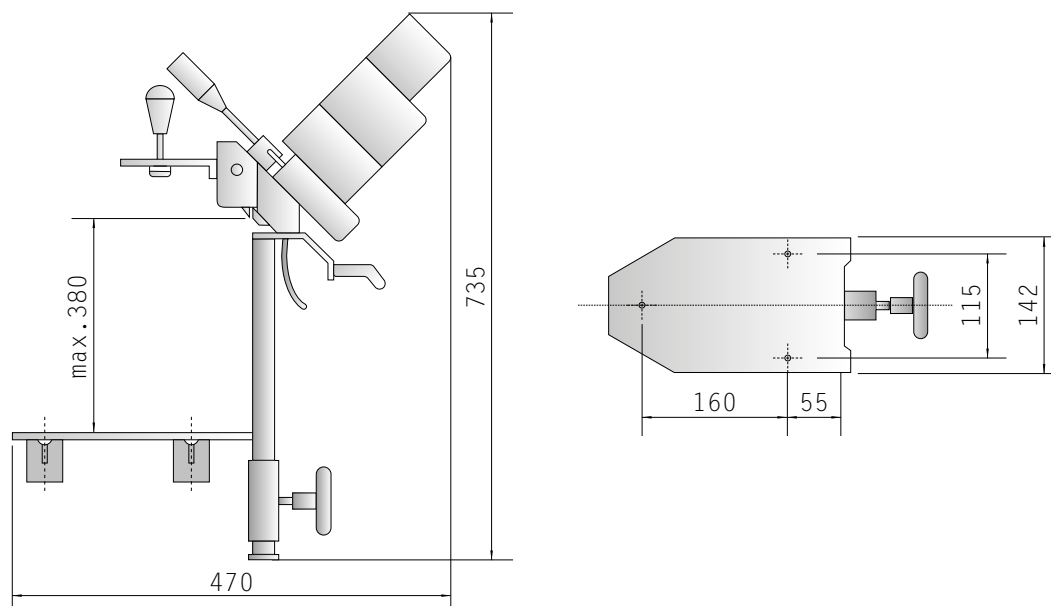
### OPERATIVE FEATURES

- Can automatic rotation and perforation device
- Cutting height clamp
- Lid magnet
- Cutting blade lifting lever
- Cutting blade activation lever with micro switch
- 0,12 - kW gearmotor
- Voltage V 1 ~ 230V 50Hz + PE
- Net weight: 10 kg



### TECHNICAL DRAWINGS

#### APRIBOX



Total or partial reproduction prohibited. - October 2021



APPLIANCE MANUFACTURED IN ACCORDANCE  
WITH HARMONISED STANDARDS AND  
PROVIDED WITH THE CE MARKING

Company with EN ISO 9001 certified  
Quality Management System

#### NILMA S.p.A.

Via E. Zaccani, 24/A - 43122 Parma - Tel. +39.0521.785241 - Fax +39.0521.774642 - [www.nilma.com](http://www.nilma.com) • [nilma@nilma.it](mailto:nilma@nilma.it)  
We reserve the right to make any changes or technical improvements considered necessary without notice



**Nilma**  
LA SCIENZA DELLE GRANDI CUCINE