

IDROVER 40 & 50

Vegetable spin dryers



WHEN FRESHNESS MEANS SAVING

Drying vegetables in only **two minutes**, immediately after washing, represents a saving of time and the certainty of preserving their freshness. Removing water after washing improves the taste of side dishes and guarantees a saving in condiments, besides increasing the shelf life of vegetables. The **Idrover** centrifuge is all this: it is enough to load the vegetables into the basket, close the lid and start the drying cycle. **The centrifuge force** will gently work also on the most delicate leaves, removing

the excess of water. **Idrover** is suitable to work intensively, since it is equipped with a robust stainless steel frame. It is easily cleanable thanks to the removable basket and counter-basket. It is safe as well, since it is equipped with safety devices stopping the rotation of the basket when the lid is lifted or the drying cycle ends.

The **Idrover** centrifuge is available in **two models** having the capacities of 40 or 50 litres, to satisfy the most demanding modern kitchens from 300 to 2,000 meals.

Wilma

LA SCIENZA DELLE GRANDI CUCINE



IDROVER 40 & 50

Vegetable spin dryers

MACHINE FEATURES

Frame made of satin-finished AISI 304 stainless steel

Anti-shock food-grade plastic lid

Feet with floor-anchoring holes

Removable basket made of AISI 304 stainless steel and equipped with a tissue basket (Idrover 40)

Removable basket and counter-basket (Idrover 50), made of AISI 304 stainless steel

Basket and counter-basket assembled on an anti-vibration support (Idrover 50)

Safety locking system on the lid opening (Idrover 50)

Motor equipped with an electric brake to stop the basket at the end of the cycle or at the opening of the lid

Wall-mountable control panel equipped with an electronic timer, a power light, a working light and an emergency button. IP protection class: X5

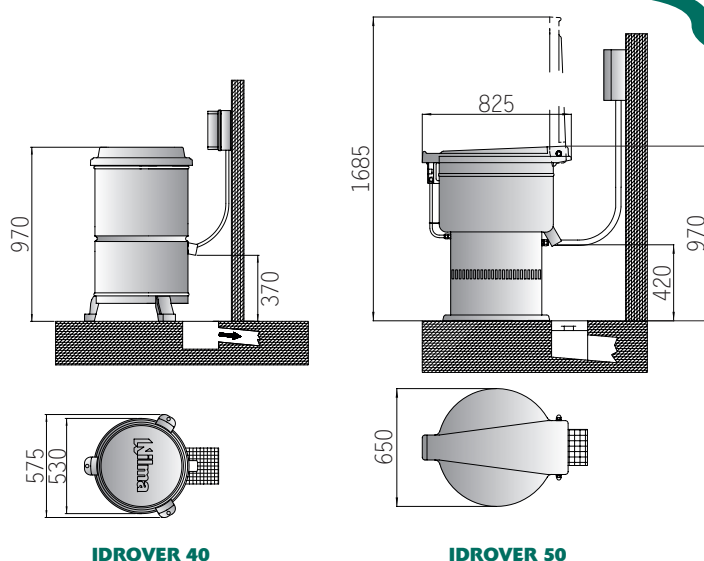
IDROVER 40

IDROVER 50



TECHNICAL DATA	IDROVER 40	IDROVER 50
Basket capacity lt	40	50
Basket speed rpm	700	700
Inner basket Ø mm	430	470
Drying time min.	2	2
Water drain Ø	2"	2"
Power kW	0,37	1,1
Voltage	3~230/400V50Hz+PE	3~230/400V50Hz+PE
Net weight kg	56	100

TECHNICAL DRAWINGS



OPTIONS



Basket trolley.

Idrover 40
Dimensions (Øxh):
450x500 mm.

Idrover 50
Dimensions (Øxh):
490x500 mm.

Tissue basket for
Idrover 40 and 50.



APPLIANCE CONSTRUCTED TO
HARMONISED STANDARDS AND
COMPLETE WITH CE MARKING

Company with EN ISO 9001
certified Quality Management System

NILMA S.p.A.

Via E. Zacconi, 24/A - 43122 Parma - Tel. +39.0521.785241 - Fax +39.0521.774642 - www.nilma.com • nilma@nilma.it
Nilma reserves the right to make any changes or technical improvements it considers necessary without notice



Nilma
LA SCIENZA DELLE GRANDI CUCINE